

MSZ-LN Inverter Heat Pump Wall Mounted System

Product Specifications

M series



MSZ-LN25/35/50/60VGR Ruby Red (R)



MSZ-LN25/35/50/60VGV Pearl White (V)



MSZ-LN25/35/50/60VGB Onyx Black (B)



MSZ-LN25/35/50/60VGW Natural White (W)

MSZ-LN - INDOOR UNITS		MSZ-LN25VG R/B/V/W	MSZ-LN35VG R/B/V/W	MSZ-LN50VG R/B/V/W	MSZ-LN60VG R/B/V/W
CAPACITY (KW)	Heating (nominal)	3.2 (0.8 - 5.4)	4.0 (1.0 - 6.3)	6.0 (1.0 - 8.2)	6.8 (1.8 - 9.3)
	Cooling (nominal)	2.5 (1.0 - 3.5)	3.5 (0.8 - 4.0)	5.0 (1.0 - 6.0)	6.1 (1.4 - 6.9)
	Heating (UK)	2.64 (0.66 - 4.45)	3.3 (0.83 - 5.2)	4.94 (0.82 - 6.75)	5.6 (1.48 - 7.66)
	Cooling (UK)	2.48 (0.99 - 3.47)	3.47 (0.79 - 3.96)	4.95 (0.99 - 5.94)	6.05 (1.38 - 6.84)
SHF (nominal)		0.97	0.90	0.77	0.75
COP / EER (nominal)		5.52 / 5.15	5.00 / 4.27	4.05 / 3.62	3.76 / 3.41
SCOP / SEER (BS EN14825)		5.2 / 10.5	5.1 / 9.5	4.6 / 8.5	4.6 / 7.5
ErP ENERGY EFFICIENCY CLASS	Heating/Cooling	A+++ / A+++	A+++ / A+++	A++ / A+++	A++ / A++
AIRFLOW (l/s)	Heating (SLo-Lo-Mid-Hi-SHi)	67-95-118-142-240	71-97-118-142-228	90-107-142-178-262	110-158-192-227-262
	Cooling (SLo-Lo-Mid-Hi-SHi)	71-97-118-147-198	71-97-118-147-213	95-127-148-177-232	118-147-177-212-262
PIPE SIZE MM (in)	Gas	9.52 (3/8")	9.52 (3/8")	9.52 (3/8")	12.7 (1/2")
	Liquid	6.35 (1/4")	6.35 (1/4")	6.35 (1/4")	6.35 (1/4")
SOUND PRESSURE LEVEL (dBA)	Heating (SLo-Lo-Mid-Hi-SHi)	19-24-29-36-45	19-24-29-36-45	25-29-34-39-47	29-37-41-45-49
	Cooling (SLo-Lo-Mid-Hi-SHi)	19-23-29-36-42	19-24-29-36-43	27-31-35-39-46	29-37-41-45-49
SOUND POWER LEVEL (dBA)		58	58	60	65
DIMENSIONS (mm)	Width x Depth x Height	890 x 233 x 307	890 x 233 x 307	890 x 233 x 307	890 x 233 x 307
WEIGHT (kg)		15.5	15.5	15.5	15.5
ELECTRICAL SUPPLY		Fed by Outdoor Unit	Fed by Outdoor Unit	Fed by Outdoor Unit	Fed by Outdoor Unit
FUSE RATING (BS88) - HRC (A)		6	6	6	6
INTERCONNECTING CABLE No. CORES		4	4	4	4



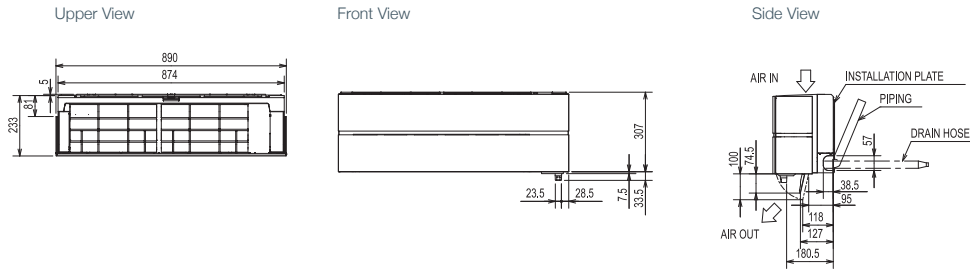
MUZ-LN - OUTDOOR UNITS		MUZ-LN25VG	MUZ-LN35VG	MUZ-LN50VG	MUZ-LN60VG
SOUND PRESSURE LEVEL (dBA)	Heating/Cooling	49 / 46	50 / 49	54 / 51	55 / 55
SOUND POWER LEVEL (dBA)	Cooling	60	61	64	65
WEIGHT (kg)		35	35	40	55
DIMENSIONS (mm)	Width x Depth x Height	800 x 285 x 550	800 x 285 x 550	800 x 285 x 714	840 x 330 x 880
ELECTRICAL SUPPLY		220-240v, 50Hz	220-240v, 50Hz	220-240v, 50Hz	220-240v, 50Hz
PHASE		Single	Single	Single	Single
SYSTEM POWER INPUT (kW)	Heating/Cooling (nominal)	0.580 / 0.485	0.800 / 0.820	1.480 / 1.380	1.810 / 1.790
	Heating/Cooling (UK)	0.523 / 0.406	0.722 / 0.686	1.335 / 1.151	1.632 / 1.494
STARTING CURRENT (A)		3.0	4.0	6.8	7.9
SYSTEM RUNNING CURRENT (A)	Heating/Cooling [MAX]	3.0 / 2.5 [7.1]	4.0 / 3.9 [9.9]	6.8 / 6.3 [13.9]	7.9 / 7.9 [15.2]
FUSE RATING (BS88) - HRC (A)		10	10	16	16
MAINS CABLE No. CORES		3	3	3	3
MAX PIPE LENGTH (m)		20	20	20	30
MAX HEIGHT DIFFERENCE (m)		12	12	12	15
CHARGE (kg) / CO ₂ EQUIVALENT (t) - R32 (GWP 675) - 7m		1.0 / 0.68	1.0 / 0.68	1.25 / 0.85	1.45 / 0.98
MAX ADDED QUANTITY (kg) / CO ₂ EQUIVALENT (t) - R32 (GWP 675)		0.26 / 0.18	0.26 / 0.18	0.26 / 0.18	0.46 / 0.32

MSZ-LN Inverter Heat Pump Wall Mounted System

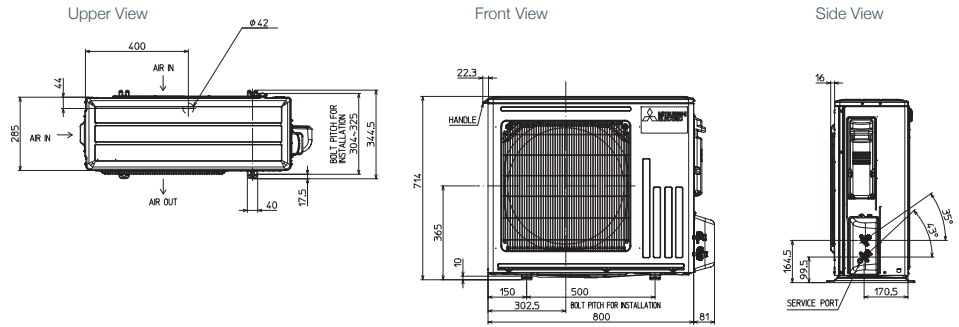
Product Dimensions

M series

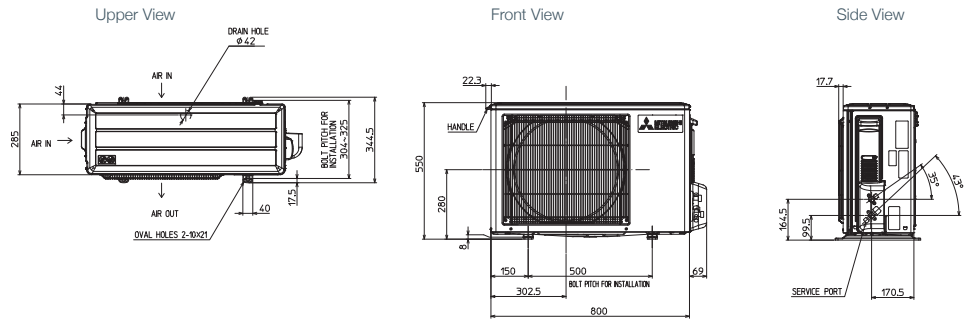
MSZ-LN25/35/50/60VG R/B/V/W



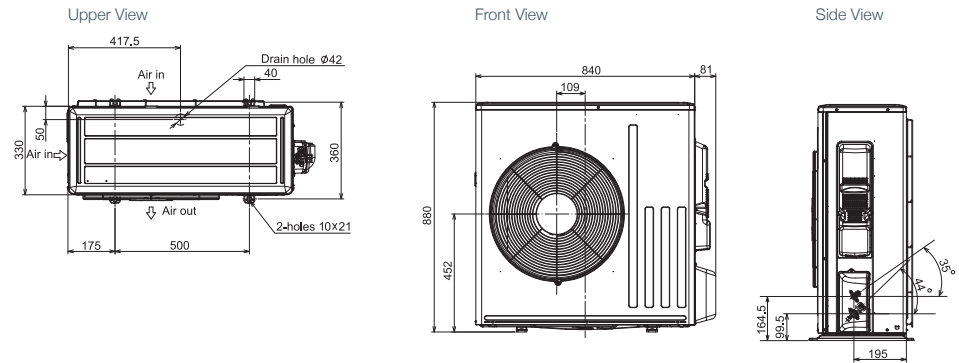
MUZ-LN50VG



MUZ-LN25/35VG



MUZ-LN60VG



Telephone: 01707 282880

email: air.conditioning@meuk.mee.com web: airconditioning.mitsubishielectric.co.uk microsite: timeforR32.co.uk

UNITED KINGDOM Mitsubishi Electric Europe Living Environment Systems Division, Travellers Lane, Hatfield, Hertfordshire, AL10 8XB, England. General Enquiries Telephone: 01707 282880 Fax: 01707 278881
 IRELAND Mitsubishi Electric Europe, Westgate Business Park, Ballymount, Dublin 24, Ireland. Telephone: Dublin (01) 419 8800 Fax: Dublin (01) 419 8890 International code: (003531)

Country of origin: United Kingdom – Japan – Thailand – Malaysia. ©Mitsubishi Electric Europe 2017. Mitsubishi and Mitsubishi Electric are trademarks of Mitsubishi Electric Europe B.V. The company reserves the right to make any variation in technical specification to the equipment described, or to withdraw or replace products without prior notification or public announcement. Mitsubishi Electric is constantly developing and improving its products. All descriptions, illustrations, drawings and specifications in this publication present only general particulars and shall not form part of any contract. All goods are supplied subject to the Company's General Conditions of Sale, a copy of which is available on request. Third-party product and brand names may be trademarks or registered trademarks of their respective owners.

Note: The fuse rating is for guidance only. Please refer to the relevant databook for detailed specification. It is the responsibility of a qualified electrician/electrical engineer to select the correct cable size and fuse rating based on current regulation and site specific conditions. Mitsubishi Electric's air conditioning equipment and heat pump systems contain a fluorinated greenhouse gas, R410A (GWP:2088), R32 (GWP:675), R407C (GWP:1774) or R134a (GWP:1430). *These GWP values are based on Regulation (EU) No 517/2014 from IPCC 4th edition. In case of Regulation (EU) No.626/2011 from IPCC 3rd edition, these are as follows. R410A (GWP:1975), R32 (GWP: 550), R407C (GWP:1650) or R134a (GWP:1300).



www.greengateway.mitsubishielectric.co.uk

Mitsubishi Electric UK's commitment to the environment

Follow us @meuk_ies
 Follow us @green_gateway

Mitsubishi Electric
 Living Environmental Systems UK

mitsubishielectric2

Effective as of February 2017
 SAP No. 306985